

Professional audio and video technology to enhance teaching and engage learning



On average, educators spend **3-4 hours a day** in lectures with students¹



Teachers need to keep students **engaged** when teaching remotely

44%

of students are not satisfied with the audio or video quality of remote learning classes¹

#1

features people seek for meetings are sound **quality & comfort**²

PROFESSIONAL AUDIO SOLUTIONS

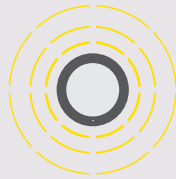


Speak 710

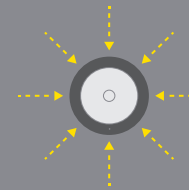


Speak 750

Optimal audio coverage for huddle rooms



Omni-directional microphone for crystal-clear sound



Personalize your Speak 710 with MS Cortana, Siri® or Google Assistant™



Jabra Speak 710 and 750 works with

For more compatibility information go to [Jabra.com](https://www.jabra.com)



INTELLIGENT VIDEO SOLUTIONS

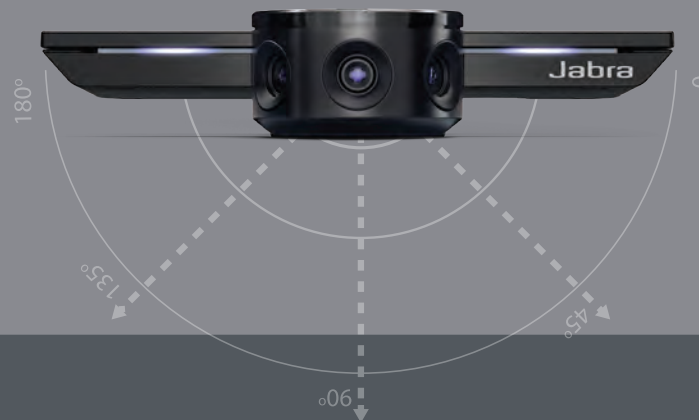
PANACAST

Plug-and-play panoramic-4K video with a 180° field of view

Wall-to-wall coverage of your teaching space

Move around freely when sharing educational material

Use for lecture capture and recording



¹Jabra Customer Database Survey April 2020 ²Jabra Knowledge Worker Survey 2017